



JKM245P-60

POLY CRYSTALLINE MODULE
225-245 Watt

Jinko Solar introduces a brand-new line of high performance modules in wide application.

KEY FEATURES



Our solar cells offer high conversion efficiency to ensure the highest quality

Our high performing modules have an industry low tolerance of 0~+3% (optional)

The modules can withstand high wind-pressure, snow loads and extreme temperatures

Passed IEC 5400 Pa mechanical loading test

QUALITY & SAFETY

Industry leading power output warranty
(12 years/90%, 25 years/80%)

10-year warranty on materials & workmanship (optional)

ISO 9001:2008 (Quality Management System) certified factory

IEC61215、IEC61730 certified products



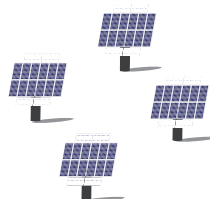
APPLICATIONS



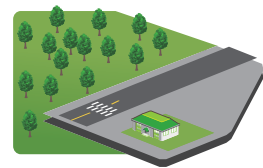
On-grid residential roof-tops



On-grid commercial/
industrial roof-tops

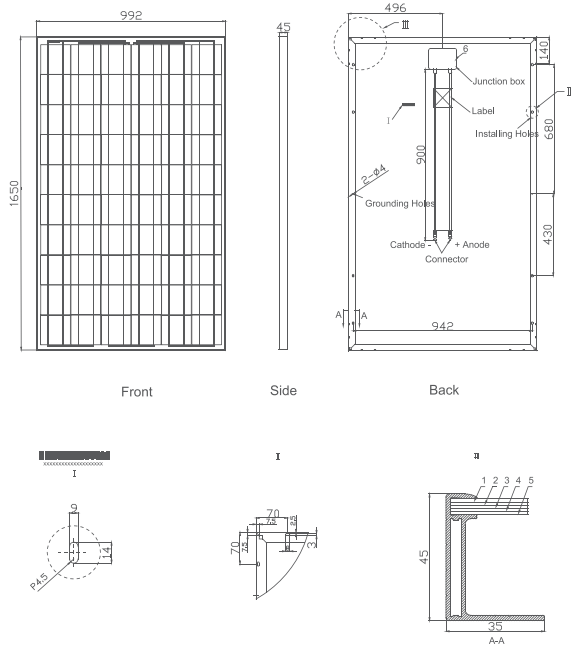


Solar power plants



Off-grid systems

Engineering Drawings

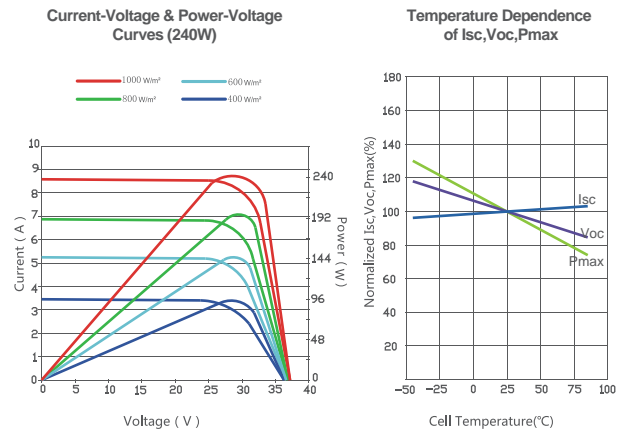


Packaging Configuration

(Two boxes + 4pcs addition module = One pallet)

23 pcs/box, 50 pcs/pallet, 700 pcs/40'HQ Container

Electrical Performance & Temperature Dependence



Mechanical Characteristics

Cell Type	Poly-crystalline 156×156mm (6 inch)
No.of cells	60 (6×10)
Dimensions	1650×992×45mm (64.97×39.06×1.77 inch)
Weight	19.0kg (41.9 lbs.)
Front Glass	3.2mm, High Transmission, Low Iron, Tempered Glass
Frame	Anodized Aluminium Alloy
Junction Box	IP65 Rated
Output Cables	TÜV 1×4.0mm² / UL 12AWG, Length:900mm

SPECIFICATIONS

Module Type	JKM225P	JKM230P	JKM235P	JKM240P	JKM245P
Maximum Power at STC(Pmax)	225Wp	230Wp	235Wp	240Wp	245Wp
Maximum Power Voltage (Vmp)	29.4V	29.6V	29.8V	30V	30.2V
Maximum Power Current (Imp)	7.65A	7.78A	7.89A	8.01A	8.12A
Open-circuit Voltage (Voc)	36.7V	36.8V	36.9V	37.2V	37.4V
Short-circuit Current (Isc)	8.25A	8.35A	8.47A	8.56A	8.69A
Module Efficiency(%)	13.74%	14.05%	14.35%	14.66%	14.97%
Operating Temperature(°C)	-40°C~+85°C				
Maximum system voltage	600V (UL) /1000V (IEC) DC				
Maximum series fuse rating	15A				
Power tolerance	0~+3% (optional)				
Temperature coefficients of Pmax	-0.45%/°C				
Temperature coefficients of Voc	-0.27%/°C				
Temperature coefficients of Isc	0.05%/°C				
Nominal operating cell temperature (NOCT)	45±2°C				

STC: Irradiance 1000W/m² Module Temperature 25°C AM=1.5

* Power measurement tolerance: ± 3%