

FL122000-M (12V200Ah/10hr)

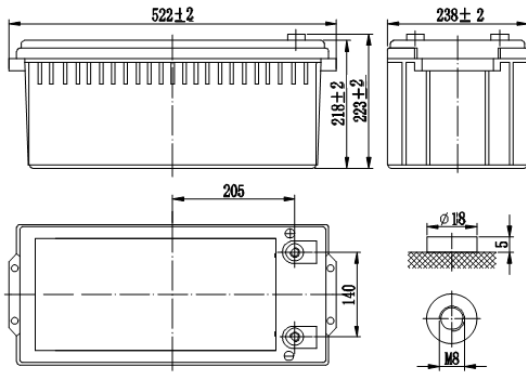


General Series

General Series Valve Regulated Lead Acid batteries are designed with AGM (Absorbent Glass Mat) technology, high performance plates and electrolyte to gain extra power output for common power backup system applications widely used in the field of UPS, Emergency Lighting System.

Application

- Alarm System
- Cable Television
- Power tools
- Emergency Power System
- Security System
- Medical Equipment
- UPS
- Communication Equipment
- Control Equipment
- Toys



General Features

- Sealed and maintenance free operation.
- Non-Spillable construction design.
- ABS containers and covers (UL94HB, UL94V-0) optional.
- Safety valve installation for explosion proof .
- High quality and high reliability.
- Exceptional deep discharge recovery performance.
- Low self discharge characteristic.
- Flexibility design for multiple install positions.

CONSTRUCTION

Component	Positive plate	Negative plate	Container	Cover	Safety valve	Terminal	Separator	Electrolyte
Raw material	Lead dioxide	Lead	ABS	ABS	Rubber	Copper	Fiberglass	Sulfuric acid

TECHNOLOGY PARAMETER

Battery model	FL122000-M			
Designed Floating Life	8-10 Years			
Capacity (25°C)	10hR(20A, 10.8V)	5hR(33.6A, 10.5V)	1hR(128A, 9.60V)	
	200Ah	168Ah	128Ah	
Dimensions	Length	Width	Height	Total Height
	522±2mm	238±2mm	218±2mm	223±2mm
Approx. weight (±5%)	63.5Kg (140lbs)			
Internal resistance	Full charged at 25°C: Approx. 3.5mOhms			
Self discharge	3% of capacity declined per month at 25°C (average)			
Capacity Affected by Temp.(10HR)	40 °C	25 °C	0 °C	-15 °C
	102%	100%	85%	65%
Charge Voltage (25°C)	Cycle use		Float use	
	14.4-14.7V(-30mV/°C), max. Current: 50A		13.6-13.8V(-20mV/°C)	

FL122000-M (12V200Ah/10hr)

Constant current discharge ratings-amperes at 25°C

End Point Volts/Cell	10min	15min	30min	1h	3h	5h	10h	20h
1.60V	475	362	222	128	56.2	36.7	20.3	10.7
1.65V	454	344	218	123	54.4	35.7	20.3	10.6
1.70V	428	326	214	118	52.6	34.7	20.2	10.5
1.75V	403	309	210	114	50.3	33.6	20.2	10.5
1.80V	382	291	206	109	48.0	32.6	20.0	10.4

Constant power discharge ratings-watts at 25°C

End Point Volts/Cell	10min	15min	30min	1h	3h	5h	10h	20h
1.60V	855	655	405	234	103	67.9	37.8	20.0
1.65V	812	619	395	224	99.5	65.7	37.5	19.7
1.70V	763	584	385	214	95.7	63.4	37.2	19.5
1.75V	713	550	376	205	91.0	61.2	36.9	19.2
1.80V	672	515	366	195	86.5	59.1	36.4	19.0

