

FL22000GEL (2V200Ah/10hr)



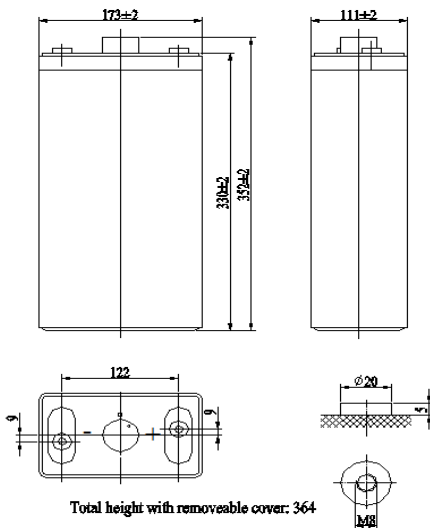
The rechargeable GEL batteries are lead-lead dioxide systems. Which are new products developed success base on SLA batteries. In contrast with AGM batteries, electrolyte of GEL batteries is composed of micro millimeter SiO₂ and H₂SO₄ gelled electrolyte is reversibility and steady three-dimensional network structure; especial grid alloy and gelled electrolyte “micro-crack” structure is easy for returning into H₂O when producing oxygen; special one-way valves allow the gases to escape thus avoiding excessive pressure build-up. On the other hand, the battery is completely sealed, maintenance-free, Safety and usable in any position.

Application

- Solar and Wind Power System
- Medical Equipment
- Electric Power Vehicles/Toys
- Power tools
- Communication Equipment
- Control Equipment

General Features

- Sealed and maintenance free operation.
- Non-Spillable construction design.
- ABS containers and covers (UL94HB, UL94V-0) optional.
- Safety valve installation for explosion proof .
- High quality and high reliability.
- Exceptional deep discharge recovery performance.
- Low self discharge characteristic.
- Flexibility design for multiple install positions.



CONSTRUCTION

Component	Positive plate	Negative plate	Container	Cover	Safety valve	Terminal	Separator	Electrolyte
Raw material	Lead dioxide	Lead	ABS	ABS	Rubber	Copper	Fiberglass	Gelled acid

TECHNOLOGY PARAMETER

Battery model	FL22000GEL			
Designed Floating Life	15 Years			
Capacity (25°C)	10hR(20A, 1.80V)	5hR(36.3A,1.75V)		1hR(124A, 1.60V)
	200Ah	181.5Ah		124Ah
Dimensions	Length	Width	Height	Total Height
	173 ±2mm	111 ±2mm	330 ±2mm	364 ±2mm
Approx. weight (±5%)	13.8 Kg (30.4 lbs)			
Internal resistance	Full charged at 25°C: Approx. 0.7 mOhms			
Self discharge	3% of capacity declined per month at 25°C (average)			
Capacity Affected by Temp.(10HR)	40 °C	25 °C	0 °C	-15 °C
	102%	100%	85%	65%
Charge Voltage (25°C)	Cycle use		Float use	
	2.38~2.42V(-5mV/°C), max. Current: 40A		2.23~2.28V (-3.3mV/°C)	

FL22000GEL (2V200Ah/10hr)

Constant current discharge ratings-amperes at 25°C

End Point Volts/Cell	15min	30min	1h	2h	3h	4h	5h	8h	10h
1.60V	294	196	124	73.5	56.6	45.8	39.3	25.9	21.4
1.65V	280	187	120	71.1	54.8	44.6	38.4	25.5	21.2
1.70V	265	178	115	68.4	52.9	43.2	37.4	25.0	20.9
1.75V	250	169	110	65.6	50.8	41.7	36.3	24.5	20.5
1.80V	235	160	104	62.5	48.6	40.1	35.0	23.8	20.0

Constant power discharge ratings-watts at 25°C

End Point Volts/Cell	15min	30min	1h	2h	3h	4h	5h	8h	10h
1.60V	524	380	245	146	106	88.5	78.0	50.2	40.9
1.65V	499	364	235	142	104	86.9	76.6	49.5	40.5
1.70V	473	348	224	137	101	84.8	75.1	48.7	39.9
1.75V	446	331	213	132	98.0	82.7	73.5	47.7	39.2
1.80V	420	315	201	126	94.7	80.3	71.7	46.7	38.4

