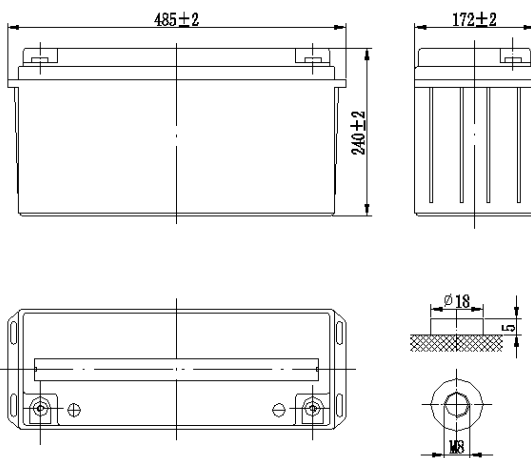


## FL121500

### (12V150Ah/10hr)



### General Series

General Series Valve Regulated Lead Acid batteries are designed with AGM (Absorbent Glass Mat) technology, high performance plates and electrolyte to gain extra power output for common power backup system applications widely used in the field of UPS, Emergency Lighting System.

### Application

- Alarm System
- Cable Television
- Power tools
- Emergency Power System
- Security System
- Medical Equipment
- UPS
- Communication Equipment
- Control Equipment
- Toys

### General Features

- Sealed and maintenance free operation.
- Non-Spillable construction design.
- ABS containers and covers (UL94HB, UL94V-0) optional.
- Safety valve installation for explosion proof .
- High quality and high reliability.
- Exceptional deep discharge recovery performance.
- Low self discharge characteristic.
- Flexibility design for multiple install positions.

### CONSTRUCTION

Component	Positive plate	Negative plate	Container	Cover	Safety valve	Terminal	Separator	Electrolyte
Raw material	Lead dioxide	Lead	ABS	ABS	Rubber	Copper	Fiberglass	Sulfuric acid

### TECHNOLOGY PARAMETER

Battery model	FL121500-M			
Designed Floating Life	8-10 Years			
Capacity (25°C)	10hR(15.0A, 10.8V)	5hR(25.8A, 10.5V)	1hR(110A, 9.60V)	
	150Ah	129Ah	110Ah	
Dimensions	Length	Width	Height	Total Height
	485 ±2mm	172 ±2mm	240 ±2mm	240 ±2mm
Approx. weight (±5%)	45.5Kg (100.3 lbs)			
Internal resistance	Full charged at 25°C: Approx. 4mOhms			
Self discharge	3% of capacity declined per month at 25°C (average)			
Capacity Affected by Temp.(10HR)	40 °C	25 °C	0 °C	-15 °C
	102%	100%	85%	65%
Charge Voltage (25°C)	Cycle use		Float use	
	14.4-14.7V(-30mV/°C), max. Current: 37.5A		13.6-13.8V(-20mV/°C)	



**FL121500-M (12V150Ah/10hr)**

Constant current discharge ratings-amperes at 25°C

End Point Volts/Cell	5min	10min	15min	30min	1h	3h	5h	10h	20h
1.60V	467	372	283	179	110	46.1	28.1	15.5	7.87
1.65V	444	355	269	176	106	44.6	27.3	15.3	7.81
1.70V	418	335	255	172	102	43.1	26.6	15.2	7.75
1.75V	391	315	241	169	97.9	41.3	25.8	15.1	7.69
1.80V	365	299	228	166	93.8	39.4	25.0	15.0	7.63

Constant power discharge ratings-watts at 25°C

End Point Volts/Cell	5min	10min	15min	30min	1h	3h	5h	10h	20h
1.60V	836	669	512	326	201	84.9	52.0	28.7	14.7
1.65V	790	635	484	318	193	81.7	50.3	28.3	14.5
1.70V	739	596	457	310	185	78.5	48.6	27.9	14.3
1.75V	689	558	430	302	176	74.7	46.9	27.5	14.2
1.80V	639	525	403	295	168	71.0	45.3	27.1	14.0

