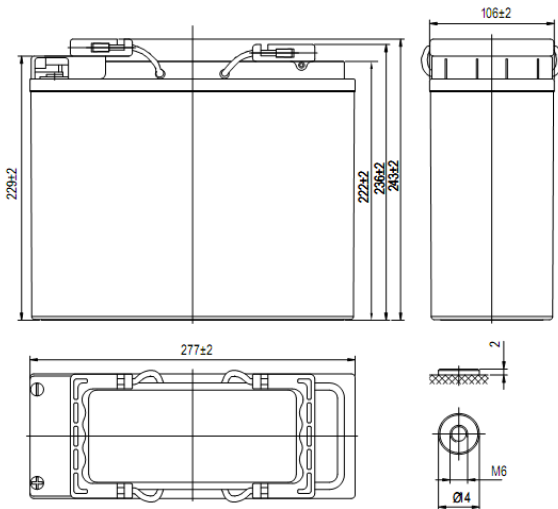


FL12500FT

(12V50Ah/10hr)



The rechargeable batteries are lead-lead dioxide systems. The dilute sulfuric acid electrolyte is absorbed by separators and plates and thus immobilized. Should the battery be accidentally overcharged producing hydrogen and oxygen, special one-way valves allow the gases to escape thus avoiding excessive pressure build-up. Otherwise, the battery is completely sealed and is, therefore, maintenance-free, leak proof and usable in any position.

General Features

- Sealed and maintenance free operation.
- Non-Spillable construction design.
- ABS containers and covers(UL94HB, UL94V-0) optional.
- Safety valve installation for explosion proof .
- High quality and high reliability.
- Exceptional deep discharge recovery performance.
- Low self discharge characteristic.
- Flexibility design for multiple install positions.

Application: mainly used in the area of communication

- Alarm System
- Cable Television
- Power tools
- Emergency Power System
- Security System
- Medical Equipment
- UPS
- Communication Equipment
- Control Equipment

CONSTRUCTION

Component	Positive plate	Negative plate	Container	Cover	Safety valve	Terminal	Separator	Electrolyte
Raw material	Lead dioxide	Lead	ABS	ABS	Rubber	Copper	Fiberglass	Sulfuric acid

TECHNOLOGY PARAMETER

Battery model	FL12500FT			
Designed Floating Life	10~12 Years			
Capacity (25°C)	10hR(5.0A, 10.8V)	5hR(9.06A,10.5V)		1hR(35.2A, 9.60V)
	50Ah	45.3Ah		35.2Ah
Dimensions	Length	Width	Height	Total Height
	277 ±2mm	106 ±2mm	222 ±2mm	222 ±2mm
Approx. weight (±5%)	16.5Kg (36.4 lbs)			
Internal resistance	Full charged at 25°C: Approx. 8 mOhms			
Self discharge	3% of capacity declined per month at 25°C (average)			
Capacity Affected by Temp.(10HR)	40 °C	25 °C	0 °C	-15 °C
	102%	100%	85%	65%
Charge Voltage (25°C)	Cycle use		Float use	
	14.4-14.7V(-30mV/°C), max. Current: 10A		13.5-13.8V(-20mV/°C)	

FL12500FT (12V50Ah/10hr)

Constant current discharge ratings-amperes at 25°C

End Point Volts/Cell	10min	15min	30min	60min	2h	3h	5h	8h	10h
1.60V	109	88.2	57.6	35.2	19.7	14.5	9.26	6.14	5.19
1.65V	101	82.7	55.5	34.5	19.4	14.3	9.19	6.08	5.14
1.70V	93.0	77.1	53.3	33.8	19.0	14.1	9.13	6.04	5.10
1.75V	85.0	71.6	51.2	33.1	18.6	13.8	9.06	6.00	5.05
1.80V	77.0	66.0	49.0	32.4	18.3	13.6	9.00	5.95	5.00

Constant power discharge ratings-watts at 25°C

End Point Volts/Cell	10min	15min	30min	60min	2h	3h	5h	8h	10h
1.60V	192	156	103	63.0	35.4	26.2	16.9	11.2	9.55
1.65V	179	147	99.3	62.1	35.0	26.0	16.8	11.2	9.51
1.70V	166	138	95.9	61.2	34.6	25.8	16.8	11.2	9.48
1.75V	152	129	92.7	60.2	34.1	25.4	16.8	11.2	9.44
1.80V	139	119	89.2	59.3	33.7	25.2	16.7	11.1	9.40

